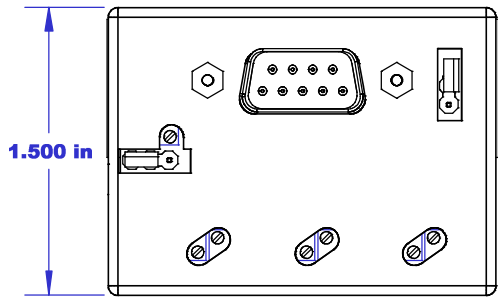
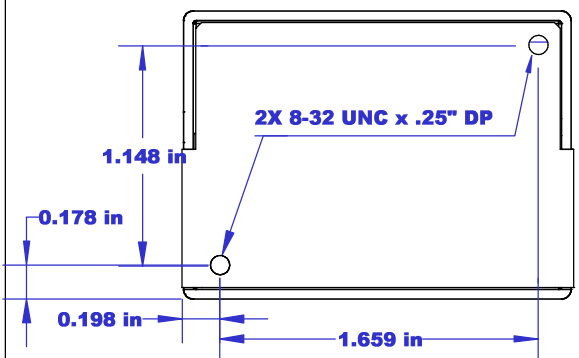
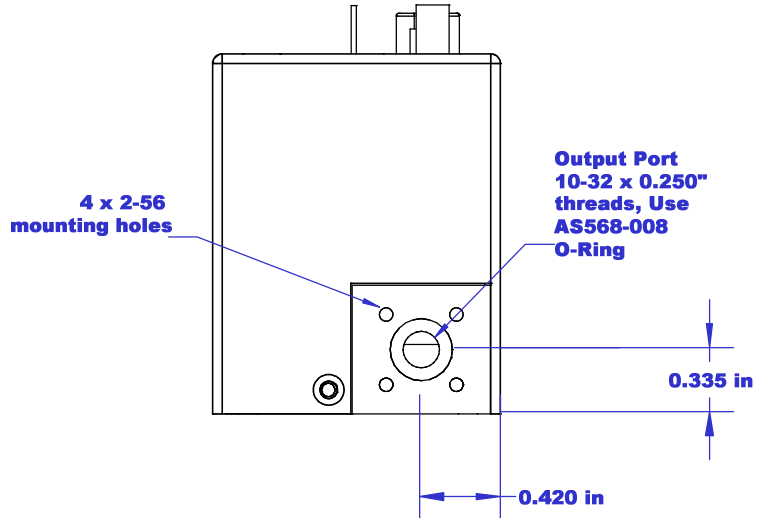
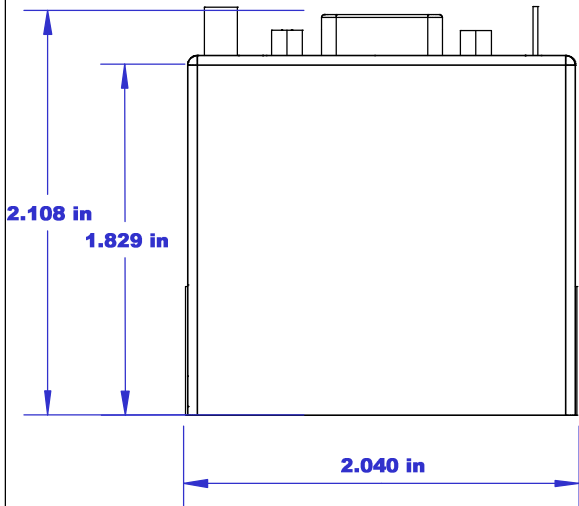
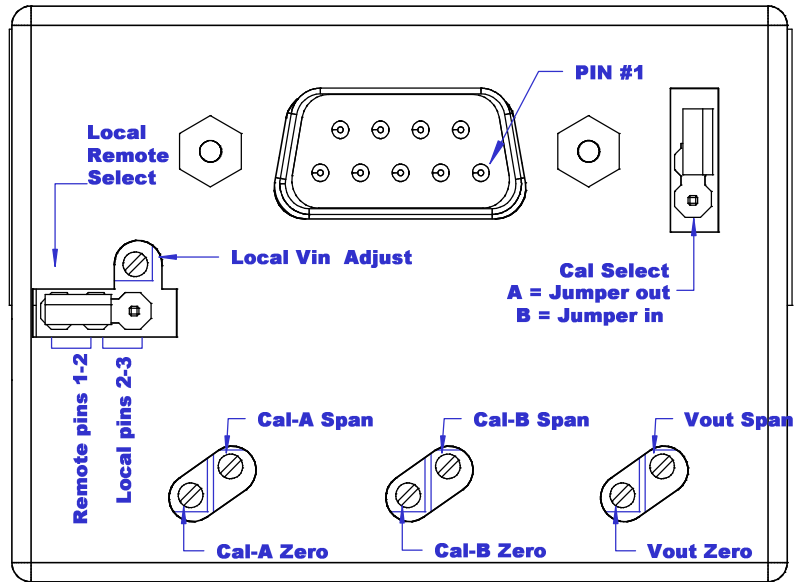


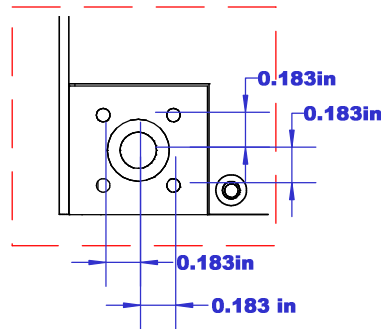
DETAIL A



FLOW



DETAIL B



Analog 9-Pin D-sub Pinout:

- P1: + Power
- P2: + Vc Control
- P3: + Vout Readback
- P4: Purge (Ground Pin)
- P5: - Power Ground
- P6: - Signal Ground
- P7: - Signal Ground
- P8: No Connect
- P9: Cal Select Open = A Gnd = B



169 Depot Road, Hollis, NH 03049
Ph: (603) 465-7346 Fx: (603) 465-3594

TITLE MicroFlo Product Line Details

SIZE A	DWG NO	REV A
SCALE 1 : 1	DATE: 1-01-13	SHEET 1 of 1
APPROVED BY:		